



Intelligent Standalone Direct Thermal Label Printer

DISCOVER A WORLD OF EFFICIENCY AND RELIABILITY

10.1" Colour touch screen, compact design, easy label change, powerful processor and versatile label formats for diverse needs.

Model : TSDP5000X PLUS



The TSDP5000X PLUS is a compact yet powerful stand-alone label printer ideal for high-use food labelling applications.

The TSDP5000X PLUS advances the legacy of the DP5000 series, combining proven reliability with enhanced performance to meet current and future business labelling requirements. Brimming with powerful features, the TSDP5000X PLUS is the smart new choice for businesses looking for reliable and efficient thermal label printing.

A 10.1" crystal clear capacitive touchscreen and intuitive user interface enable operators to manage product labelling requirements including 1D and 2D barcodes, COOL, PEAL, Nutrition Information Panel.

10.1" Touchscreen

TSDP5000X PLUS Label Printers feature a crystal clear, full colour 10.1" TFT WSVGA capacitive touchscreen.

The operator touch screen offers a standard user interface across both the TSDP5000X and SM5500X series weigh labeller range – facilitating interdepartmental team member training and technical support.

To ensure the best viewing and ergonomic operating position, the display can easily be adjusted to suit different counter and operator heights.

Proven Reliability - Fast High Volume Printing

This robust industrial grade front-loading 300 dpi printer delivers high-resolution, high volume printing with impressive efficiency up to 150 mm per second. Evolving from the TSDP5000E series, it has a proven track record to be a business critical, reliable workhorse in single point sensitive production environments.

Smart Space-Saving Design

The front loading label cassette enables both printing and label changes to be carried out from the front of the machine. This, coupled with a small footprint, means the TSDP5000X PLUS requires minimal bench space.

TSDP5000X PLUS Features Summary

- 10.1" full-colour capacitive touchscreen display
- reliable durability designed for high-use environments
- compact space-saving stand-alone printing
- energy efficient compliance to 80 PLUS
- easy front-loading label roll change
- peel and present labelling with internal rewind
- powerful Quad Core Processor
- fast high-resolution direct thermal printing
- large memory
- adjustable user display rotates left/right, up/down
- programmable function and preset buttons
- helpful on-screen operator prompts
- remote diagnostics and support
- a large range of label formats including dual labels
- supports
 - › Country of Origin Labelling (COOL)
 - › Plain English Allergen Labelling (PEAL)
 - › Nutritional Information Panel (NIP) Labelling
 - › images on labels
 - › 1D and 2D barcode printing

Options

- Atria back office management software
- wireless module (IEEE 802.11 a/b/g/n/ac)



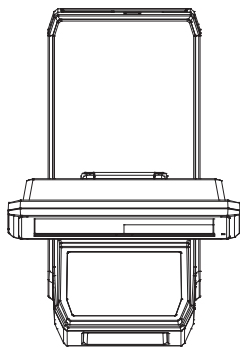
Specifications may change without notice

Intelligent Standalone Thermal Direct Label Printer

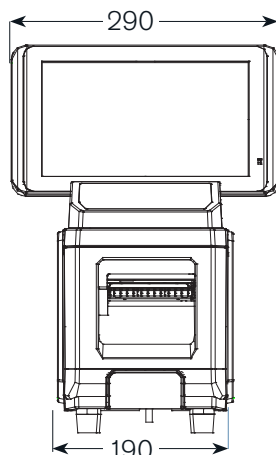
Model: TSDP5000X PLUS

SPECIFICATIONS

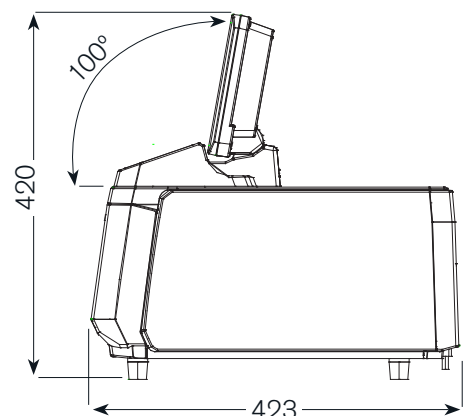
Operator Display	10.1" TFT WSVGA capacitive touchscreen
Display Size (pixels)	1024 (W) x 600 (D)
Display Rotation	± 30 degrees left and right; 80 degrees up and down
Processor	ARM Cortex-A55 2.0 GHz Quad Core
Operating System	Linux
Memory	
System Memory	2 GB DDR4 1600 MHz
Storage Memory	32 GB SDHC card
Energy Efficiency	Compliance to 80PLUS Power Saving - with configurable power saving options
Printer	
Print Method	Direct Thermal
Printer Type	Industrial
Print Resolution	300 dpi
Label	
Labeller Type	Liner (Die-Cut Labels)
Print Speed - Maximum	150 mm per second
Print Width - Maximum	80 mm
Print Length - Maximum	350 mm
Label Width - Maximum	80 mm
Label Roll Size - Maximum	125 mm OD (100 mm OD if using rewind)
Label Core Size	40 mm
Peel and Present	Yes - Standard
Internal Rewinder	Yes - Standard
Barcode Type	Interleaved 2 of 5, EAN-8, EAN-13, EAN-128, RSS, PDF417 (For Receipt Only), GS1, QR code, Datamatrix
Communication Type	
Ethernet	Yes - Standard
WiFi	Yes - Optional (2.4/5 ghz Wireless LAN 802.11 a / b / g / ac)
Standard Interfaces	Ethernet 4 x USB SD Socket
Options	Linerless Printer with Auto-cutter
Overall Dimensions (mm)	290 (W) x 423 (D) x 420 (H)
Net Weight	12 kg



TOP VIEW



FRONT VIEW



SIDE VIEW

Specifications may change without notice

LABELLING EQUIPMENT

LABELS | LABELLING EQUIPMENT | PACKAGING EQUIPMENT
ESL & DIGITAL SIGNAGE | WEIGHING SCALES | POS SYSTEMS
FOOD EQUIPMENT | MAINTENANCE & REPAIRS | HIRE

1300 970 111
enquiries@wedderburn.com.au
www.wedderburn.com.au